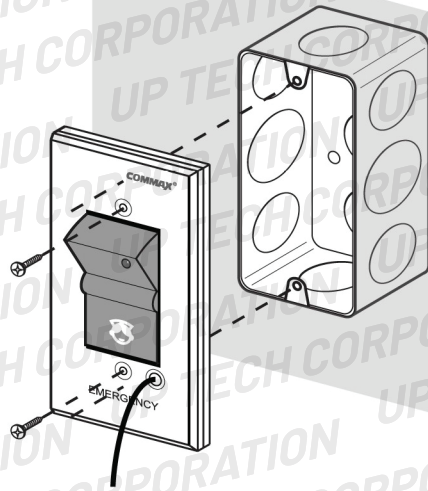
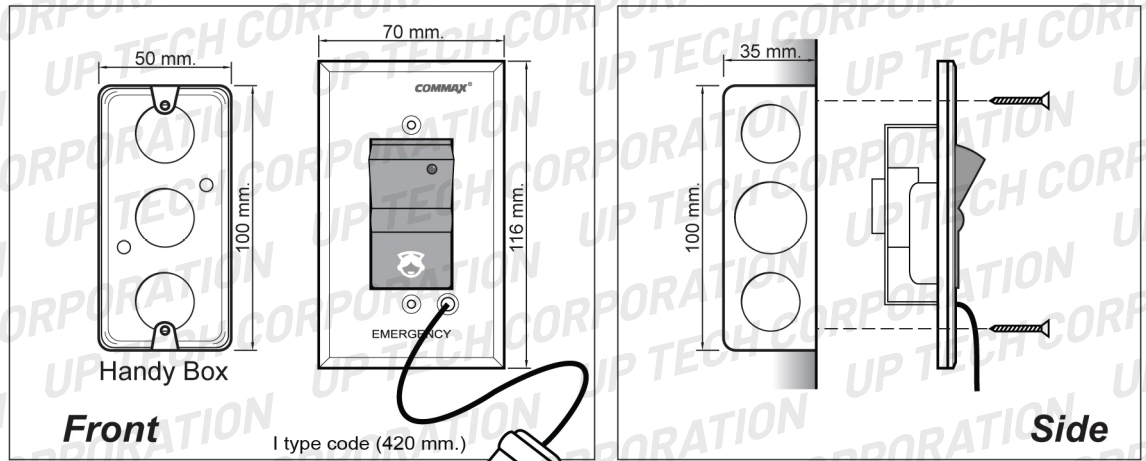


Emergency Switch



ES-410



Pull down rope type : When emergency rise in toilet. Patient can transmit an emergency signal to nurse station and corridor by pulling down rope on wall.

Features & Functions

- : Pull down rope.
- : Perfect water-resistance.
- : Aluminum coating on elegant front panel.
- : Only the spot to call can control the ceasing of call signal.
- : Voltage range 12 - 24 VDC.